



MOTOREINBAU MECHANIK  
ENGINE ATTACHMENT, MECHANICAL PARTS

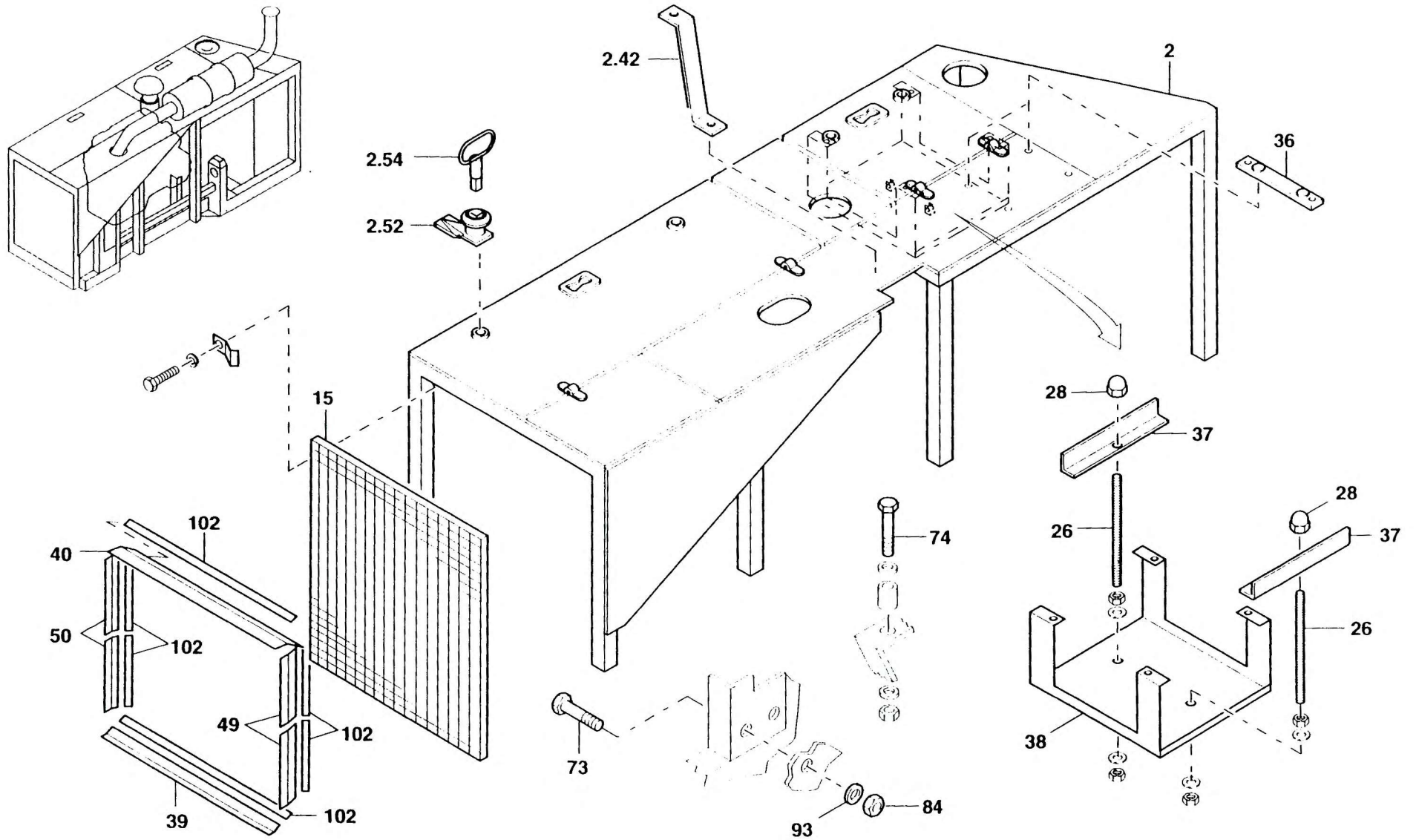
BILDТАFEL  
PICTORIAL DISPLAY

01.96

2221599-ETL G

1/3

KMK 5120  
BE 660  
G 626





MOTOREINBAU MECHANIK  
ENGINE ATTACHMENT, MECHANICAL PARTS

BILDTAFEL  
PICTORIAL DISPLAY

01.96

2221599-ETL G

2/3

KMK 5120  
BE 660  
G 626

